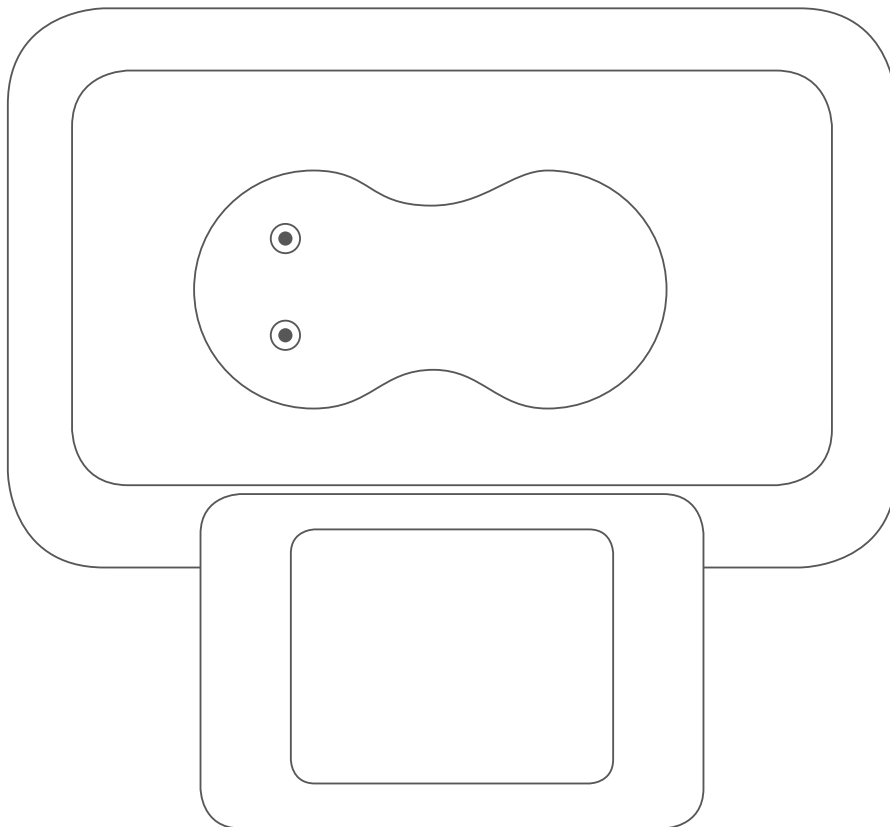


digital controlled devices

dicodes

dicodes charger csl



manual

1. dicodes charger cs1: Feature List

Features of cs1:

- 3 different inlays for Dani-Box / PIPELINE PRO8, dicodes no6 / PIPELINE PRO9 and Dani-Box Stabwood
- 128x64 pixel LC-Display with automatically dimmed backlight showing all important status information. The LCD is covered by a hardened (hardness 8H (pencil)) acrylic glas window.
- wide-range wall-adapter with different mains-plugs for worldwide use, supplying 5.5V / 2 Amps.
- micro-USB port with heavy duty contacts (3A) for long lasting usage.
- automatic USB source strength detection according to battery charger specification BC1.2 and source overload protection
- high weight with bottom rubber-pad bumps for stable stand
- fast charging with up to 2Amps
- protective end-charge voltage of 4.15V (+/- 1%) for increased battery charging life cycles
- robust spring pin contacts
- prepared for future dicodes box-mods by means of the inlay concept

2. dicodes Charger cs1: Description

The dicodes charger (cs1) is a sophisticated and practical device to charge Li-Ion batteries installed inside all different types of dicodes and PIPELINE™ boxmods currently available on the market, namely Dani-Box, dicodes no6, Dani-Box stabwood, PIPELINE PRO8 and PIPELINE PRO9. Thus, the removal of batteries and charging in dedicated external chargers becomes obsolete.

Using the cs1 at your workplace, will keep your box-mod fully charged throughout the day and also provides a practical, stable carrier for your box device.

By means of different kinds of so called inlays, the box and its battery to be charged is precisely guided towards two spring contacts on top of the cs1.

Each device is already delivered with three different of such inlays, so there is no need to care about which type of dicodes box you use. Additionally, if you own different types of boxes, they all can take advantage of the cs1 simply by changing to the appropriate inlay.

The charger cs1 is capable to charge the battery with up to two Amps of current, providing a much faster charging compared to many other dedicated Li-Ion battery chargers having only 500mA.

Together with the cs1 you get a high efficiency, wide range (110-240V) wall adapter power supply with 5.5V/2A output and several standard AC-mains-adapters for worldwide use.

Beside the included wall adapter, the station also has a micro-USB plug to connect it to a PC, or any other third party USB charger. In this case it will detect the source's current capability according to the battery charging specification BC1.2. If the wall adapter is not compatible with the BC1.2, the CS1 will adjust the charging current, such that the wall adapter (or source) is not heavily overloaded.

(Note that we recommend to use either the included wall adapter or a BC1.2 compatible charger.)

The cs1 has an automatically dimmed LC-Display, permanently showing all relevant information like the charge current, the battery voltage, the charging state, the detected source, and other information (e.g. wrong insertion orientation "GND-short").

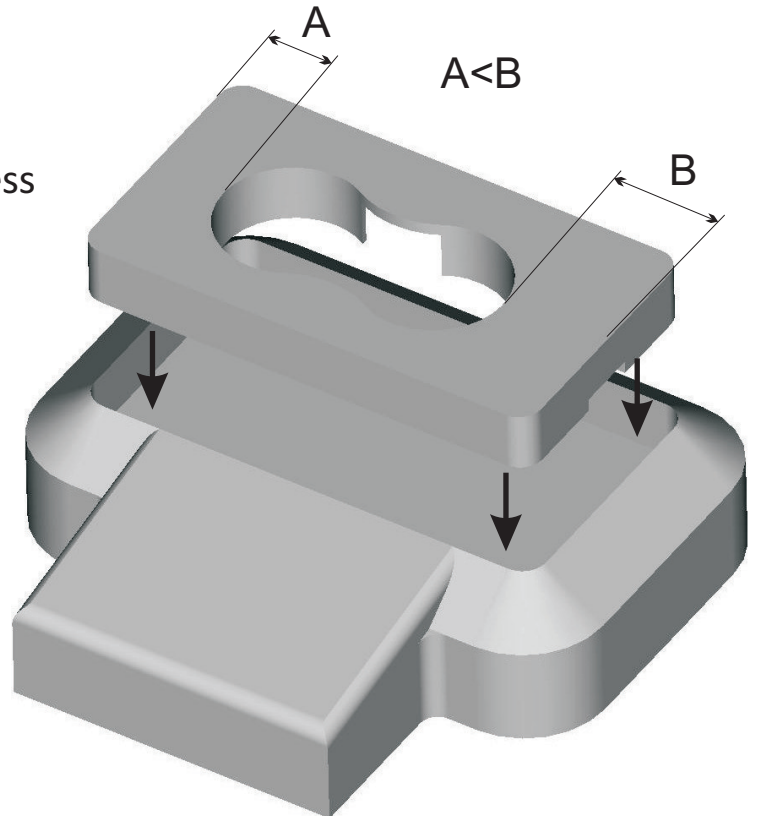
3. dicodes charger csl: Inlays

The charger comes with three types of inlays for all the currently available types of dicodes box-mods.

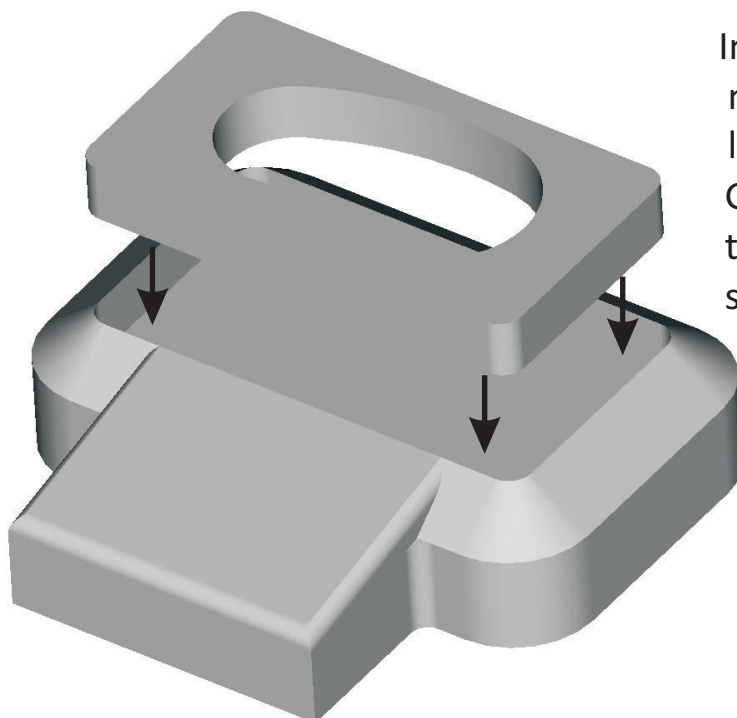
1. Inlays for Dani-Box, PIPELINE PRO8 and Dani-Box Stabwood

Insert the inlay as shown on the picture with the narrower side "A" to the left. Gently press the inlay such that it fits flush in the charger station.

Note: The Stabwood inlay is marked with a green dot on the backside.



2. Inlay for dicodes no.6 and PIPELINE PRO9



Insert the inlay such that the mod's buttons will show to the left when plugged in. Gently press the inlay such that it fits flush in the charger station.

4. dicodes charger csl: Operation

Power up

To power up the charger, either plug in the DC-Jack from the included wall-adapter or connect it with a micro-USB (not included) cable to a PC or third party USB (wall- or car-) adapter.

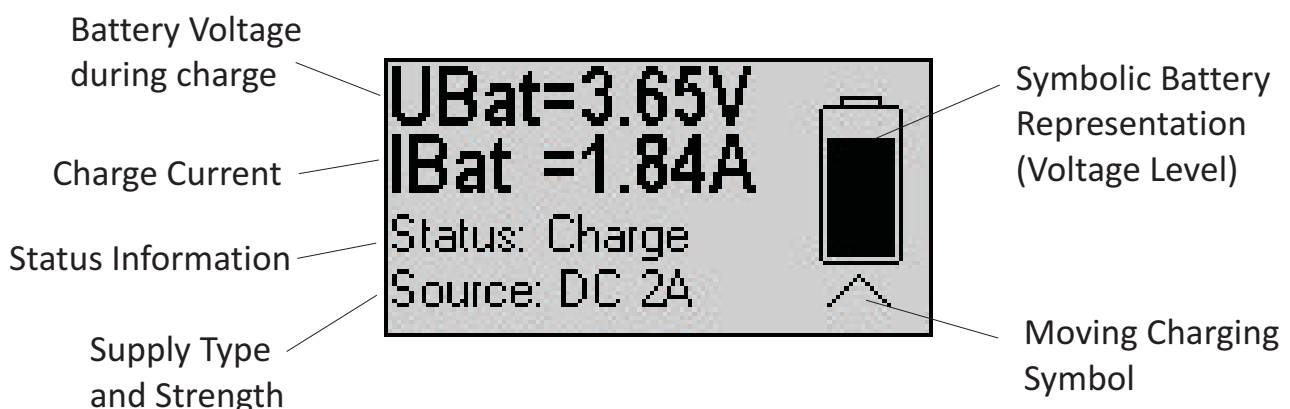
We recommend to use the provided DC-wall adapter to have the full 2A charging capability.

Remark: If both, the DC-plug and micro-USB are plugged in at the same time, the DC-plug is prioritized and the micro-USB's 5V is disconnected to protect the USB-source.

The circuit nevertheless checks the source strength. In this case it might happen that the charging current is much lower depending on the USB source.

The Information Display

The charger is equipped with a LC-Display showing all relevant informations during use.



On the left side of the display, the permanently updated parameters of UBat (battery voltage level) and IBat (charging current) are shown.

Below this, the identified source and its strength as well as the current operation status is displayed.

On the right side there is a battery symbol showing the progress in charging level. During charging an arrow symbol is moving towards the battery indicating that charge is transferred into the battery.

The backlight of the display is dimmed to a lower brightness after 30 seconds.

Whenever a mod is inserted or removed the backlight lids up again.

After 12 hours of no change the backlight is switched off completely.

Remark: The common international symbol for the voltage is "U". The battery voltage displayed is the one without charging current flowing into the battery, because to charge the battery a slightly higher voltage must be applied to compensate voltage drops across the inner batterie's resistance and other contact and wire resistances.

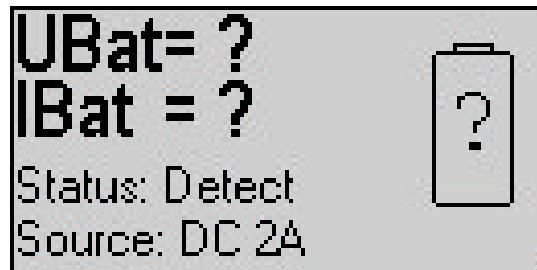
4. dicodes charger csl: Operation (2)

If no box-mod inserted or with an incorrectly inserted box or with a box-mod inserted, but without battery inside, the display status will change to “Detect”:

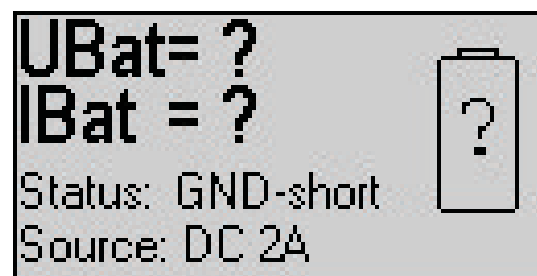
As the charger cannot measure a battery voltage, there is no charging current flowing either.

If you inserted a box, with a battery inside, but the charger still displays “?”, please check the position of the

box inside the inlay to establish contact between the spring pins and mod.



If a wrong inlay is inserted (e.g. “Dani-Box Stabwood inlay” instead “Dani-Box inlay”) or if the inlay/mod is inserted in the wrong orientation (turned by 180°) the contacts of the charger will be shorted by the box-mod’s metal housing. The display then will show “GND-short” as the status.



Other status informations are:

- “Full” The battery is fully charged, the charging current is 0. It might happen, that at the end of a charge cycle the charger switches back and forth between “Charge” and “Full”. This is OK, but can indicate that the bottom contact of the mod or the spring pin contacts should be checked to be clean.
- “PreCharge” The battery inside the mod is discharged to a level of 2.8V or below. The charger reduces the current to 260mA until the battery voltage reaches 3.0V. Above 3V the charge current is defined by the source strength (up to 2A with provided wall adapter).
- “No Charge” The charger will not charge, if the source voltage is lower than 4.8V.

4. dicodes charger csl: Operation (3)

Source Detection

As already stated, the charger can detect the current strength of the source according to the USB battery charging specification BC 1.2.

This specification defines how an USB powered charger should identify the source using the USD data-lines D+ and D-.

This specification was created to avoid undefined loading of wall adapters from different vendors.

Possible USB sources are a PC or dedicated USB charging sources with current capabilities of 1A/2A or even 3A.

When the micro USB port on the charger station is used, the charger initiates a source strength detection cycle. When successful, the source strength is displayed on the LC-Display.

When the source connected to the micro-USB cannot be identified, the input current is limited to 500mA.

Moreover the charger always monitors the input voltage and - in case the source is overloaded adjusts the charge current such that the input voltage doesn't fall below 4.8V.

In any case an overloading of the source is avoided.

Charging Cycle

The charging profile has three steps, when the battery seen is discharged to a voltage below 2.8V:

1. Precharging: The charge current is limited to 260mA until the battery voltage has increased to 3V.
2. After precharging the full charging current is applied to the battery until the battery voltage has reached about 4.0V
3. Above 4V, the current is successively reduced until the battery voltage is at 4.15V.

The charging profile is optimized to avoid stressing the battery and thus enable a high number of charging life cycles.

5. dicodes charger csl: Safety

Warnings and Safety Precautions

Before installation or use, read all of the instructions in this section for correct and safe operation.

Make sure to follow all precautionary instructions.

- Always use the provided wall adapter power supply. Do not power the unit with unknown or third party wall adapters as the voltage output or current capability might not meet the specification of the device and could damage it or lead to fire and electric shock.
- When powering the device from the micro-USB port make sure that the source meets all safety measures required for such units. Read and follow the manual of the third party USB wall adapter or USB source manufacturer.
- Never expose the charger to rain, water or other liquids, as doing so may result in device damage, fire and electric shock.
- Do not cut or kink the supply cable, whether it is the wall-adapter cord or the USB cable. Doing so may result in fire and electric shock. Always pull cables or the wall adapter at the plug or housing, never at the cable.
- Never place the device near heat sources, such as candles, ovens etc.. Do not place the device on uneven or unstable surface. Do not place objects on top of the device. Do not insert metallic objects into the inlays or the charger.
- Do not leave the charger unattended at any time. Always disconnect the charger from the AC-mains or the USB port, when leaving the place, where the charger is installed.
- If you detect smoke or strange smell coming from the device, immediately disconnect the power source and pull the wall adapter from the AC-mains. Do not further use the charger and contact dicodes GmbH.
- Never open or remove the case of the charger. If the charger falls on the ground, do not further use it and contact dicodes GmbH.

**Contact info: dicodes GmbH, Friedrich der Grosse 70, 44628 Herne, Germany
Telephone +49 2323 1463635, Email: info@dicodes-mods.de**